

EN



Catalogue of parts and assemblies for air heater AUTOTERM Air 4D

АДВР.320.02.00.000 КДС

Manufacturer: ADVERS LLC

Novo-Sadovaja str. 106, 443068, Samara, Russia

www.autoterm.ru

Representative office of manufacturer: AUTOTERM LLC

Paleju 72, Marupe, Latvia, LV-2167

Warranty Department warranty@autoterm.com

Technical Support service@autoterm.com

www.autoterm.com

This part-and-assembly catalogue is intended for companies and individuals involved in installing, repairing, and maintaining air heater Autoterm Air 4D.

This catalogue consists of two sections:

1. A schematic drawing of the **air heater** (figure 1) and a list of the air-heater's parts and assemblies (table 1)
2. A schematic drawing of the **heater** (figure 2) and a list of the heater's parts and assemblies (table 2)

If a part or assembly fails during use, look up its designation in this catalogue to order a replacement from the manufacturer.

IMPORTANT **For ease of ordering, use the manufacturer's product numbers listed in the tables below**

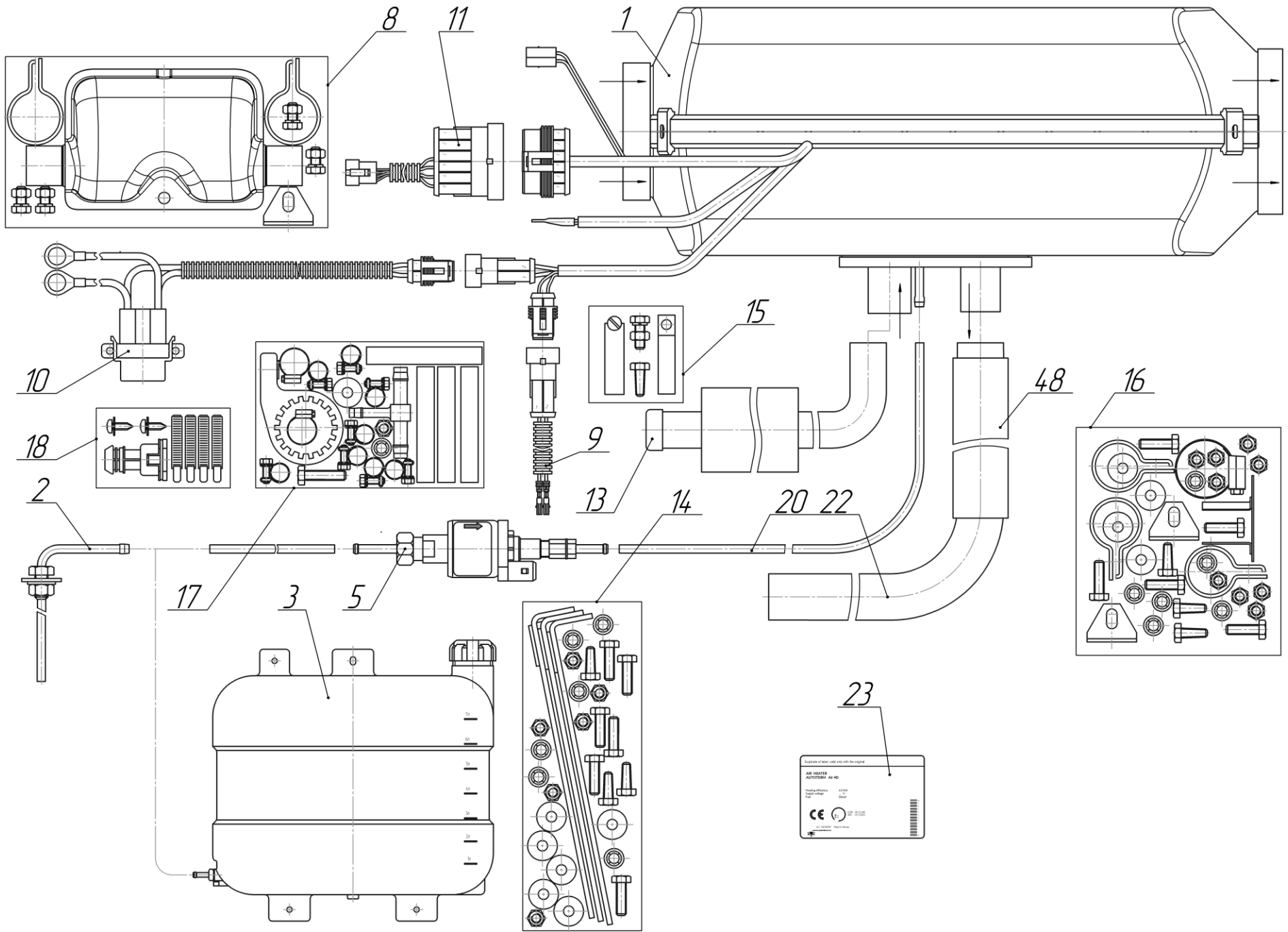


Figure 1- Schematic drawing of the air heater

Table 1

№	Part/assembly description and designation		Notes	Air 4D (24V) assy 4760	Air 4D assy 4765	Air 4D (24V) assy 5150	Air 4D assy 5155
				1	2	3	4
	Air heater number			1	2	3	4
1	Heater						
	assy 4761	24V		1		1	
	assy 4766	12V			1		1
2	Fuel intake						
	assy 807			1	1	1	1
3	Fuel tank						
	assy 291 or assy 4121	БТ7-Ш or БТ7-Ш2		1	1	1	1
5	Fuel pump						
	P0631 24V	Thomas Magnete		1			
	P0630 12V	Thomas Magnete			1		
	assy 5032	TH11-6,8ml-24V				1	
	assy 5030	TH11-6,8ml-12V					1
8	Muffler						
	assy 3944			1	1	1	1
9	Fuel pump harness						
	assy 2061			1	1	1	1
10	Power supply harness						
	assy 4007	24V		1	1	1	1
11	Control panel harness						
	assy 2067			1	1	1	1
13	Air intake						
	assy 2552			1	1	1	1
14	Fuel tank БТ7 installation kit						
	assy 9020			1	1	1	1
15	Air intake mounting kit						
	assy 9021			1	1	1	1
16	Mounting kit of exhaust pipe and heating						
	assy 9022			1	1	1	1
17	Mounting kit of fuel system						
	assy 9024			1	1	1	1
18	Mounting kit for harnesses						
	assy 9050			1	1	1	1
20	Fuel supply line						
	det. 879	L=5,5 m		1	1	1	1
22	Metal hose						
	det. 1106	L=1 m		1	1	1	1
23	Duplicate of label						
	det. 5098			1		1	
	det. 5099				1		1
48	Heat insulation (28x5x450)			1	1	1	1

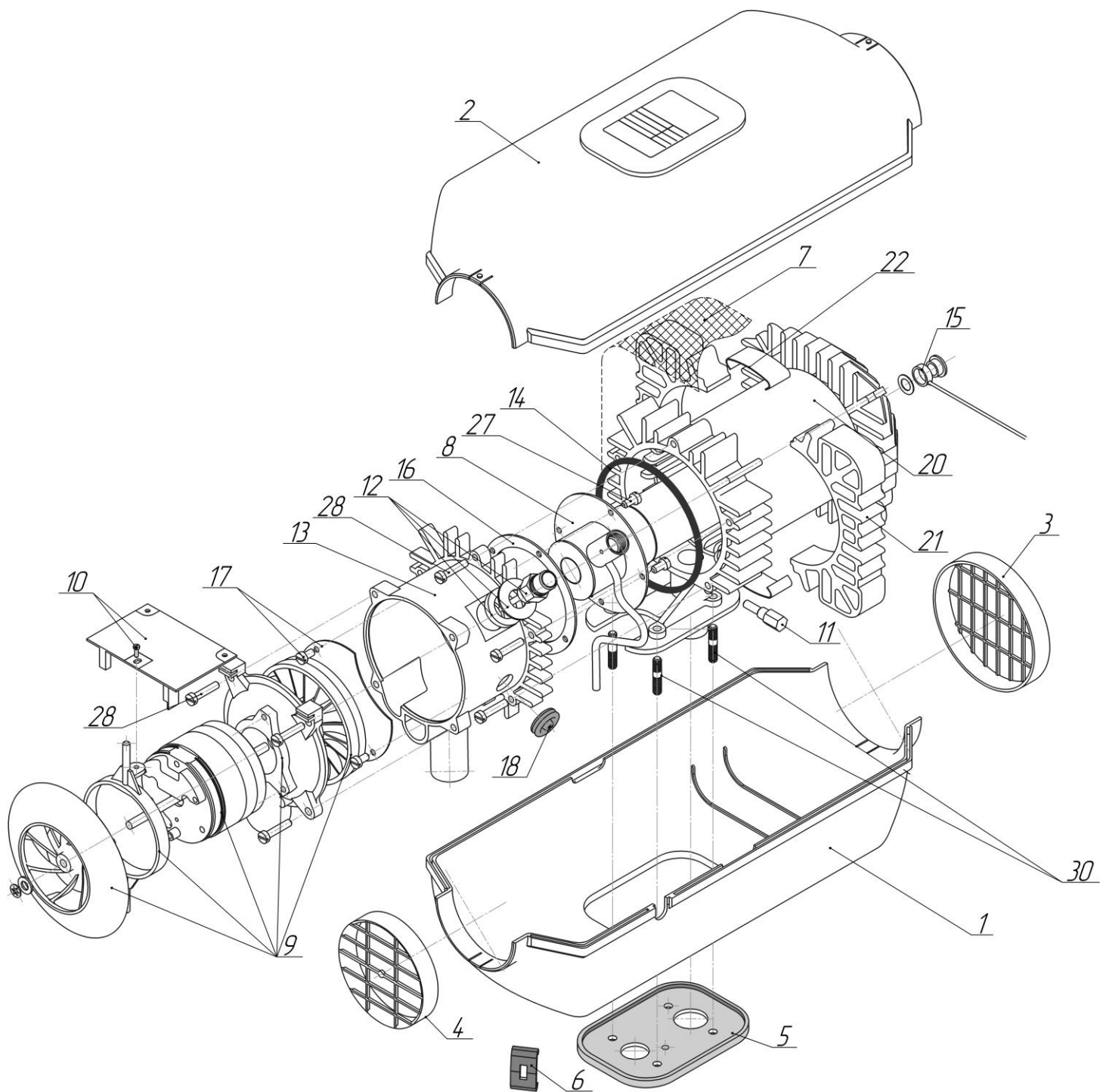


Figure 2- Schematic drawing of the heater

Table 2

No	Part/assembly description and designation	Notes	assy 4761	assy 4766
	Heater number		1	2
1	Bottom enclosure			
	det. 2396		1	1
2	Top enclosure			
	det. 1397		1	1
3	Exhaust grid			
	det.1398		1	1
4	Intake grid			
	det. 1399		1	1
5	Seal			
	det. 1550		1	1
6	Grips			
	det.1683		4	4
7	Strip			
	det.2001		1	1
8	Combustion chamber			
	assy 1503		1	1
9	Air pump			
	assy 1881		1	
	assy 1911			1
	det.3495	gasket	1	1
10	Control unit			
	assy 4188		1	
	assy 4002			1
	Screw 3,5x9,5 DIN 7981		1	1
	Washer 4 DIN 125		1	1
11	Flame indicator			
	assy 1316		1	1
	det.1105		1	1
12	Glow plug assembly			
	assy 3333		1	1
	det. 117	O-ring	1	1
	det. 818	Washer	1	1
	det. 859	Sleeve	1	1
13	Adapter			
	det. 1551		1	1
14	Gasket			
	det. 1552		1	1
15	Temperature sensor assembly			
	assy 3058	Temperature sensor	1	1
	det.3939	Washer	1	1
	det.2621	Insulator	1	1
	det. 4736	Spring washer	1	1
	Bolt M5x10		1	1
	Washer 5		1	1

№	Part/assembly description and designation	Notes	assy 4761	assy 4766
	Heater number		1	2
16	Gasket			
	det. 1554		1	1
17	Shield			
	det. 868		1	1
	Screw 3x6 DIN 7516-A		2	2
18	Seal			
	det. 21		1	1
20	Heat exchanger			
	det. 3257		1	1
21	Radiator			
	det.1556 or det. 3750		8	8
22	Clamp			
	det. 822		8	8
27	Screw M5x10 DIN 7500 CE		6	6
28	Screw M5x20 DIN 7500 CE		9	9
30	Stud M6x18		4	4